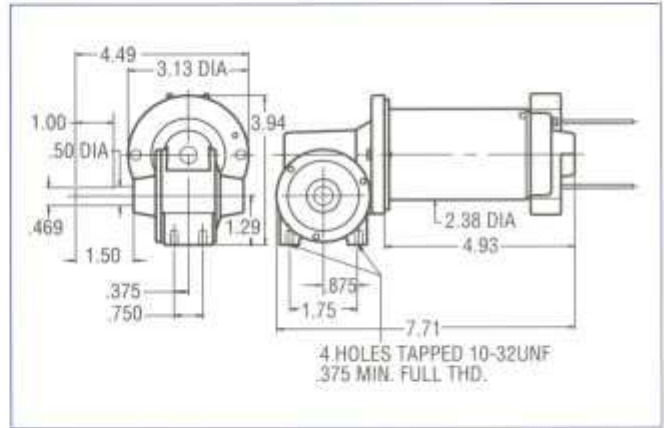


VW26

Overhung load 150 lbs.,
.94" from output boss



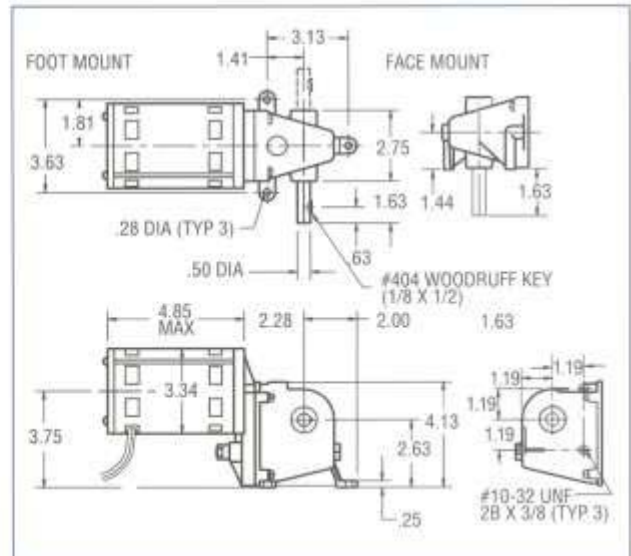
Input Motor	Gearmotor Characteristics	Standard Gear Ratios									
		2	4	10	15	20	30	40	50	60	
4 Pole 60 Hz.	F.L. Speed (RPM)	810	405	162	108	81	54	41	32	27	
	F.L. Torque (in-lbs.)	2	4	13	17	23	26	28	30	38	

Options

- P.S.C. Motor
- Overload Protection
- Split-Phase Motor
- Double Output Shaft
- Capacitor Start Motor
- Conduit Box
- 3-Phase Motor

VW33

Overhung load 200 lbs.,
1" from output boss



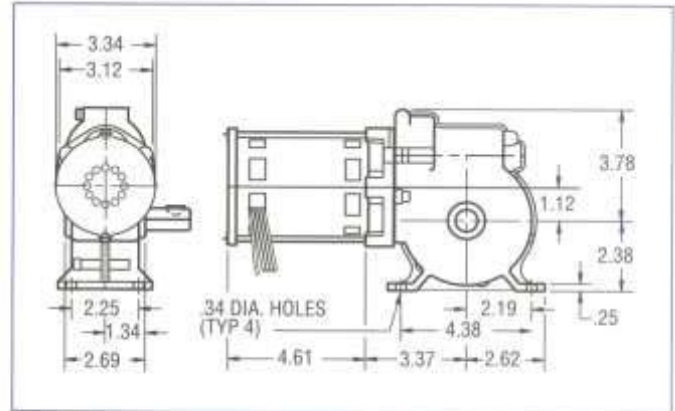
Input Motor	Gearmotor Characteristics	Standard Gear Ratios						
		37	70	167	275	525	1255	
2 Pole 60 Hz.	F.L. Speed (RPM)	85	45	20	12	6	3	
	F.L. Torque (in-lbs.)	45	85	100	100	200	250	
4 Pole 60 Hz.	F.L. Speed (RPM)	42	22	10	6	3	1.4	
	F.L. Torque (in-lbs.)	89	170	200	200	250	250	

Options

- Shaded Pole Motor
- Overload Protection
- P.S.C. Motor
- Solenoid Brake
- Split-Phase Motor
- Electro-Magnetic Brake
- Capacitor Start Motor
- Double Output Shaft
- 3-Phase Motor
- Conduit Box

VW07

Overhung load 250 lbs.,
1" from output boss



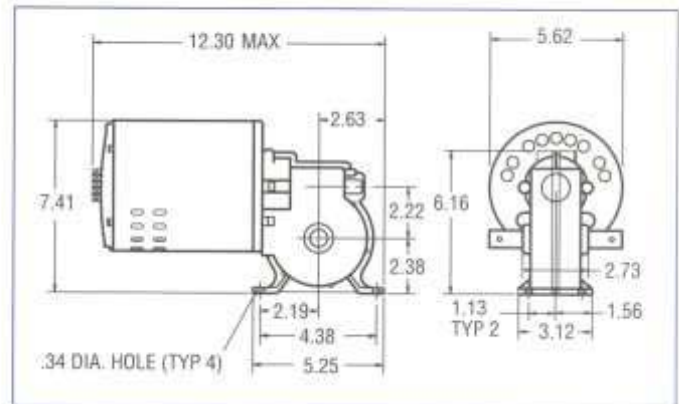
Input Motor	Gearmotor Characteristics	Standard Gear Ratios	
		148	295
2 Pole 60 Hz.	F.L. Speed (RPM)	22	11
	F.L. Torque (in-lbs.)	140	185
4 Pole 60 Hz.	F.L. Speed (RPM)	11	5.5
	F.L. Torque (in-lbs.)	280	370

Options

- Shaded Pole Motor
- P.S.C. Motor
- Split-Phase Motor
- Capacitor Start Motor
- 3-Phase Motor
- Overload Protection
- Solenoid Brake
- Electro-Magnetic Brake
- Double Output Shaft
- Conduit Box

VW77

Overhung load 250 lbs.,
1" from output boss



Input Motor	Gearmotor Characteristics	Standard Gear Ratios	
		20	40
4 Pole 60 Hz.	F.L. Speed (RPM)	86	43
	F.L. Torque (in-lbs.)	100	175

Options

- P.S.C. Motor
- Split-Phase Motor
- Capacitor Start Motor
- 3-Phase Motor
- Overload Protection
- Double Output Shaft
- Conduit Box