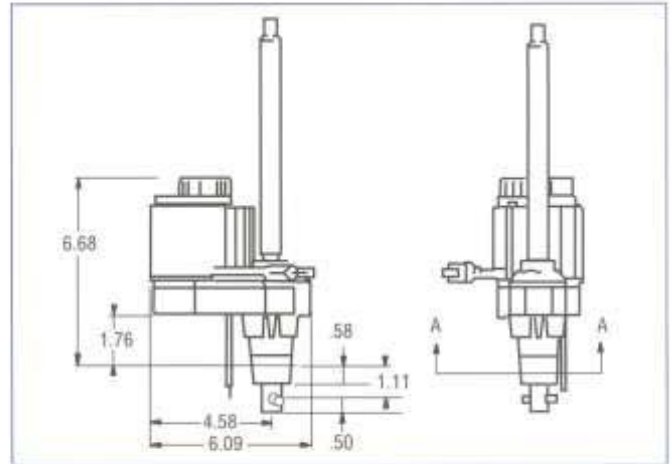
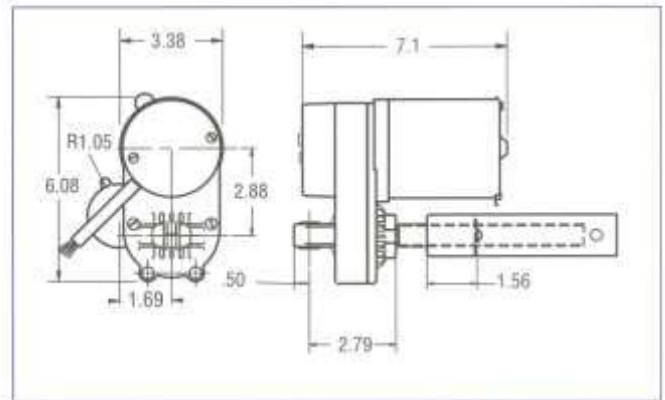


VW76H



Input Motor	Gearmotor Characteristic	Total Ratio (Gear Ratio/Screw Lead) Reference													
		42	56	61	70	83	102	111	122	147	163	196	240	295	393
2 Pole 60 Hz.	F.L. Speed (in-min.)	59	44	40	35	29	24	22	20	17	15	12	10	8	6
	F.L. Thrust (lbs.)	81	110	118	110	165	160	187	242	285	273	390	476	585	660
	Starting Thrust (lbs.)	93	127	136	126	190	184	215	278	328	314	448	547	673	759
Options	<ul style="list-style-type: none"> • PSC Motor • Extension Tube 	<ul style="list-style-type: none"> • Overload Protection • Acme Nut Mount 	<ul style="list-style-type: none"> • Limit Switches • Dust Cover 	<ul style="list-style-type: none"> • Reed Switch • Boot 	<ul style="list-style-type: none"> • Opto Switch • Rear Shaft Extension 	<ul style="list-style-type: none"> • Potentiometer 									

VW76AC



Input Motor	Gearmotor Characteristic	Total Ratio (Gear Ratio/Screw Lead) Reference																							
		12	16	20	24	30	32	37	44	49	57	65	76	81	84	98	115	130	140	153	168	224	249	330	439
4 Pole 60 Hz.	F.L. Speed (in-min.)	130	98	78	65	53	49	42	35	32	27	24	20	19	18	16	14	12	11	10	9	7	6	5	4
	F.L. Thrust (lbs.)	120	178	138	208	256	235	222	325	413	485	566	600	490	600	600	600	600	600	600	600	600	600	600	600
	Starting Thrust (lbs.)	120	178	138	208	256	235	222	325	413	485	566	664	490	714	718	842	754	845	885	850	893	1000	1000	1000

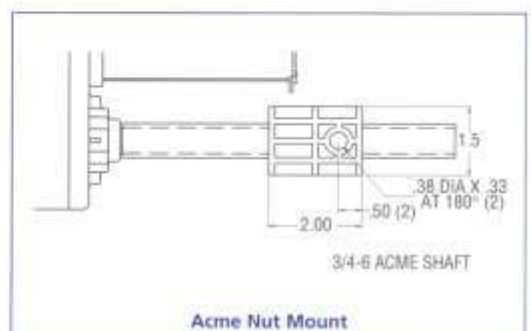
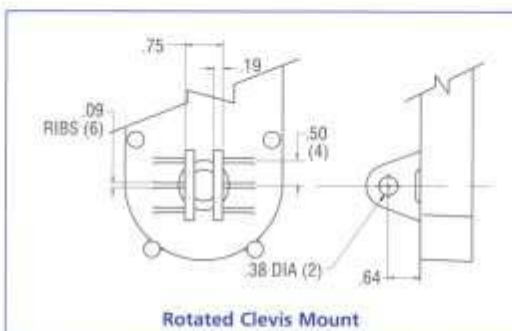
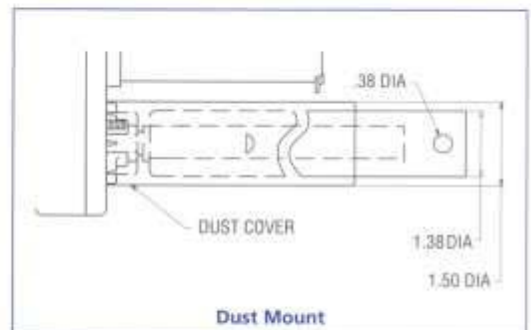
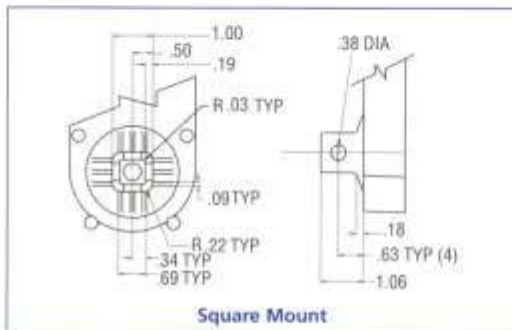
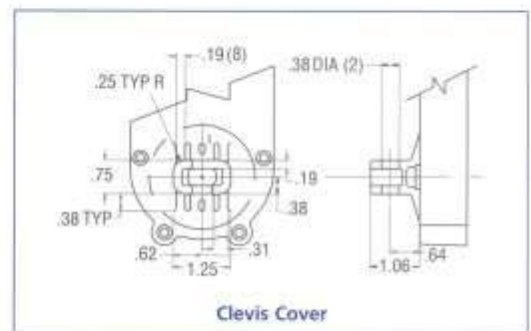
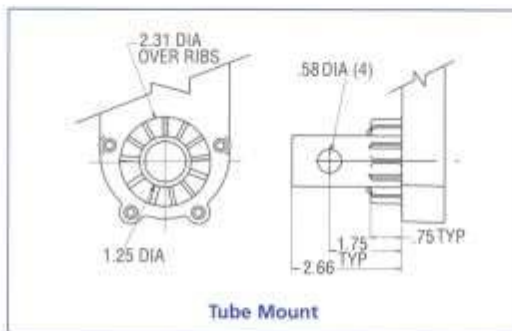
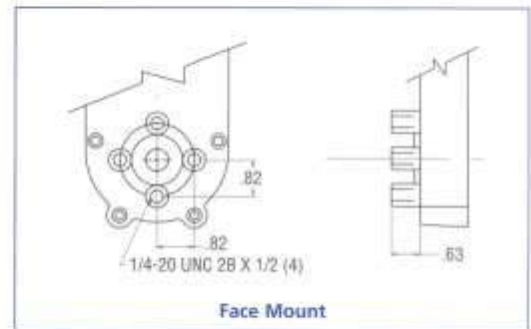
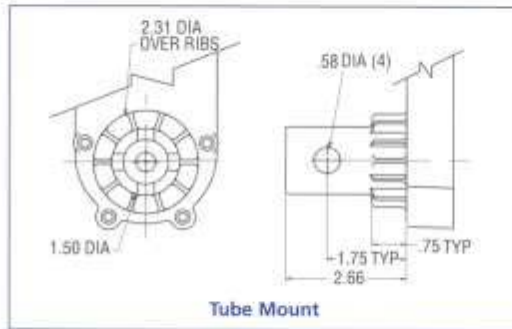
backdrive alert

Options	<ul style="list-style-type: none"> • PSC Motor • Opto Switch 	<ul style="list-style-type: none"> • Overload Protection • Potentiometer 	<ul style="list-style-type: none"> • Solenoid Brake • Extension Tube 	<ul style="list-style-type: none"> • Electro-Magnetic Brake • Acme Nut Mount 	<ul style="list-style-type: none"> • Limit Switches • Dust Cover 	<ul style="list-style-type: none"> • Reed Switch • Rear Shaft Extension
----------------	--	--	--	--	--	---

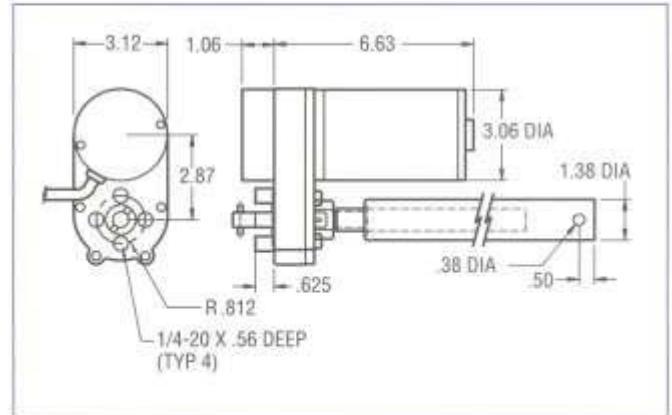
VW76 Mounting

Mounting Options for Linear Actuators

- Optional mounting available for AC or DC model VW76
- Optional rear shaft extension available with tube, face, or square mount
- Plastic dust cover available to shield acme screw
- Direct mounting to Delrin acme nut available



VW76DC



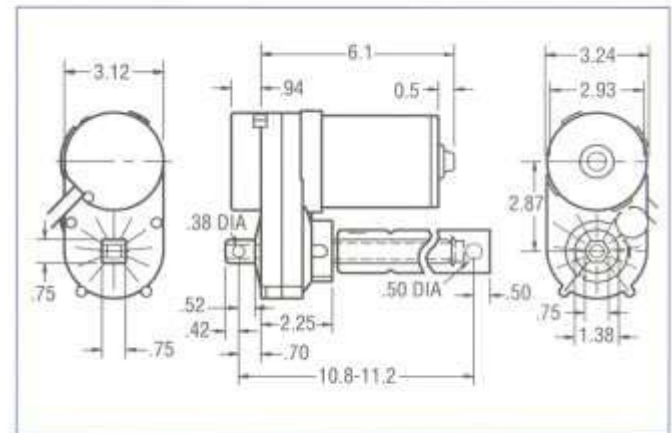
Input Motor	Gearmotor Characteristics	Total Ratio (Gear Ratio/Screw Lead) Reference																							
		12	16	20	24	30	32	37	44	49	57	65	76	81	84	98	115	130	140	153	168	224	249	330	439
1600 RPM	F.L. Speed (in-min.)	130	98	78	65	53	49	42	35	32	27	24	20	19	18	16	14	12	11	10	9	7	6	5	4
	F.L. Thrust (lbs.)	120	178	138	208	256	235	222	325	413	485	566	600	490	600	600	600	600	600	600	600	600	600	600	600
	Starting Thrust (lbs.)	120	178	138	208	256	235	222	325	413	485	566	664	490	714	718	842	754	845	885	850	893	1000	1000	1000

backdrive alert

Options

- Available 12 - 90 Volt
- Electro-Magnetic Brake
- Limit Switches
- Reed Switch
- Opto Switch
- Potentiometer
- Extension Tube
- Acme Nut Mount
- Dust Cover
- Boot
- Rear Shaft Extension

US76DC



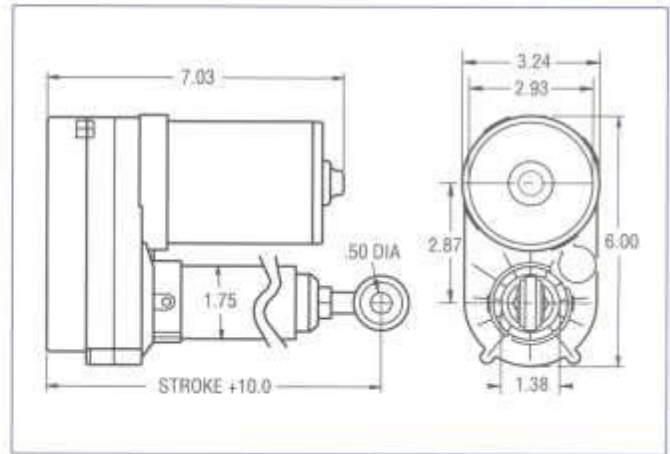
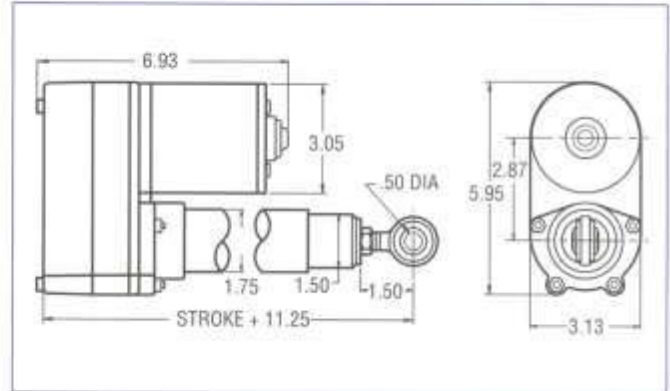
Input Motor	Gearmotor Characteristic	Total Ratio (Gear Ratio/Screw Lead) Reference																							
		12	16	20	24	30	34	37	44	46	49	57	65	69	76	81	84	91	98	115	130	141	153	169	225
1600 RPM	F.L. Speed (in-min.)	130	98	78	65	53	46	42	35	34	32	27	24	23	20	19	18	17	16	14	12	11	10	9	7
	F.L. Thrust (lbs.)	120	178	138	208	256	290	222	325	397	413	485	566	503	600	490	600	529	600	600	600	600	600	600	600
	Starting Thrust (lbs.)	120	178	138	208	256	290	222	325	397	413	485	566	503	664	490	714	529	718	842	754	845	885	850	893

backdrive alert

Options

- Available 12 - 90 Volt
- Limit Switches
- Reed Switch
- Potentiometer
- Extension Tube
- Acme Nut Mount
- Dust Cover
- Body Shroud
- Rear Shaft Extension

Solar / Satellite Actuators



Performance at 36 VDC	Model Number						
	V76-3	V76-5	V76-10	VW-18	VW-18LC	VW-24	VW-24LC
Full Load Speed (in-min.)	11	11	11	11	11	11	11
Full Load Amps	3.0	3.0	3.0	3.0	3.0	3.0	3.0
Full Load Thrust (lbs.)	600	600	600	600	600	600	600
Starting Thrust (lbs.)	800	800	800	800	800	800	800
Stroke Length (in)	24	24	18	18	18	24	24
Feedback Device	Pot	Reed	Reed	Reed	Reed	Reed	Reed
Resolution (counts/in)	400	48	48	48	24	48	24

Options

- 36 volt
- Opto Switch

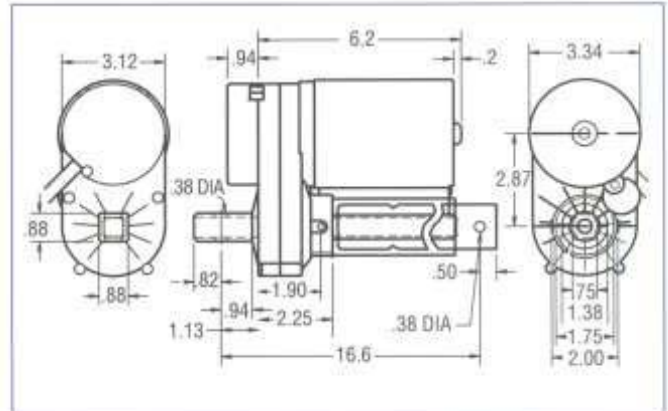
- 18" or 24" travel
- Tube Mount

- Limit Switches
- Boot

- Reed Switch
- Clamp Kit

- Potentiometer

US76AC



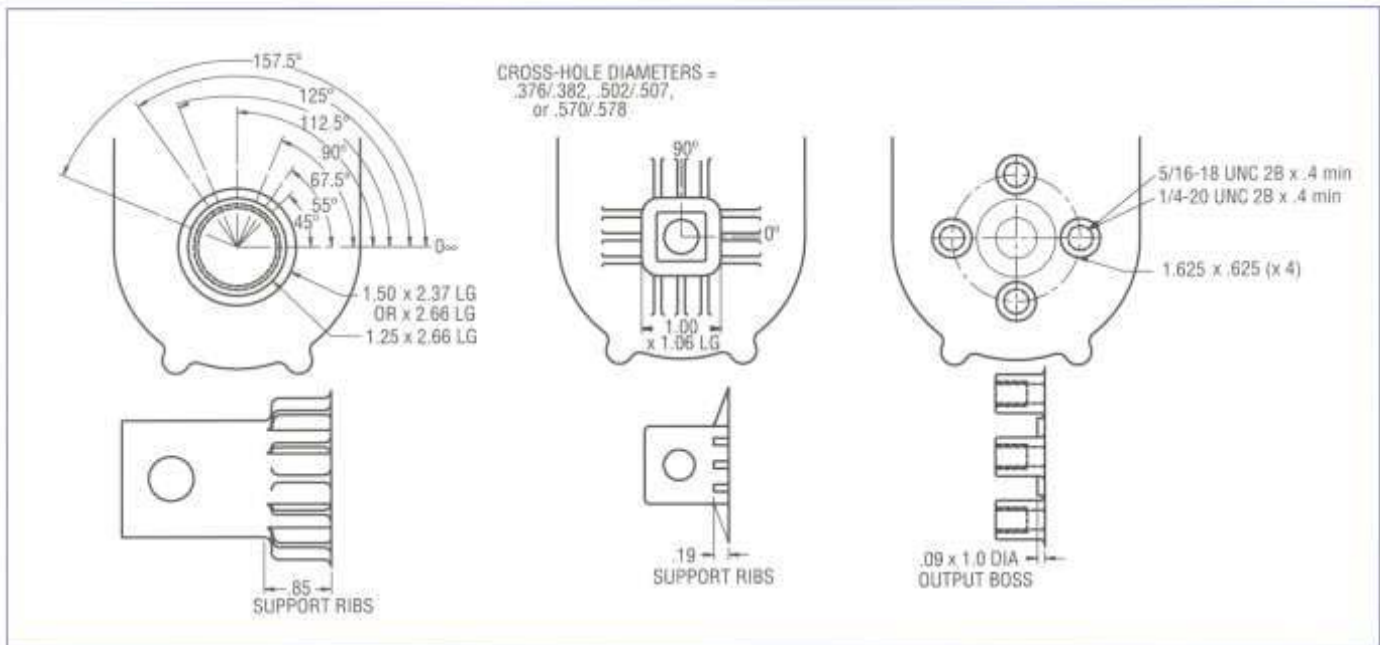
Input Motor	Gearmotor Characteristic	Total Ratio (Gear Ratio/Screw Lead) Reference																							
		12	16	20	24	30	34	37	44	46	49	57	65	69	76	81	84	91	98	115	130	141	153	169	225
4 Pole 60 Hz.	F.L. Speed (in-min.)	130	98	78	65	53	46	42	35	34	32	27	24	23	20	19	18	17	16	14	12	11	10	9	7
	F.L. Thrust (lbs.)	120	178	138	208	256	290	222	325	397	413	485	566	503	600	490	600	529	600	600	600	600	600	600	600
	Starting Thrust (lbs.)	120	178	138	208	256	290	222	325	397	413	485	566	503	664	490	714	529	718	842	754	845	885	850	893

backdrive alert

Options

- PSC Motor
- Overload Protection
- Limit Switches
- Reed Switch
- Potentiometer
- Extension Tube
- Acme Nut Mount
- Dust Cover
- Body Shroud
- Rear Shaft Extension

US76 Mounting



Feedback Options

Limit Switches

Our linear actuators are equipped with switches to shut off power to the electric motor at each end of travel. By removing the switch box cover, the top switch can be rotated to adjust travel in either the extended or retracted direction. The general policy is that the top switch limits travel at the extent where the actuator is shut off for shipping, however, that can be changed by specific request.

Sensing Switch

A third switch can be added along with the limit switches to sense a position in mid travel. This can allow auxiliary functions to be turned on or off. The additional height to house the switch is shown below. Tooling may be required for some actuating position requirements.

Reed Switch

A Reed switch can be added for positional feedback on some models. It is available with or without limit switches and brings about no exterior dimensional changes. The resolution on this digital signal varies with total ratio and can be equal to or exactly half the value shown on the accompanying chart.

Potentiometer

A potentiometer can be added for continuous analog feedback. If used without limit switches, the actuator will come in the standard dimensional package. Both 1K Ohm and 10K Ohm potentiometers are available, with 10K standard for optimal life and resolution. The combination of total ratio and timing gear ratio determines what percentage of full potentiometer resolution will be used. The accompanying chart shows optimum settings available.

Feedback Options	Timing Gear Ratio	Total Ratio (Gear Ratio/Screw Lead) Reference																								
		12	16	20	24	30	32	37	44	49	57	65	76	81	84	98	115	130	140	153	168	224	249	330	439	
Travel (inches) for Optimum Potentiometer Resolution	654:1	3.25	4.34	5.42	n/a	n/a	n/a	n/a	n/a	13.25	15.55	17.67	20.73	22.09	n/a	26.51	31.11	35.34	n/a	41.46	n/a	n/a	n/a	n/a	n/a	
	1415:1	25.0	22.7	18.2	17.9	14.6	13.4	11.7	9.7	8.8	7.5	6.6	5.6	5.3		4.4	3.8	3.3		2.8						
	2301:1		25.0	25.0	24.3	19.8	18.2	15.8	13.2	11.9	10.2	9.0	7.6	7.2		6.0	5.1	4.5		3.8						
	2880:1				32.5	26.4	24.4	21.1	17.6	15.9	13.6	12.0	10.2	9.6		8.0	6.8	6.0		5.1						
	5970:1				48.0	48.0	44.9	38.9	32.4	29.4	25.0	22.0	18.8	17.6	15.0	14.7	12.5	11.0	9.0	9.4	7.5	5.6	7.5	7.5	7.5	5.6